

# SB-300 Double Conveyor Flipper



PCB  
Automation  
Developed  
by Symtek

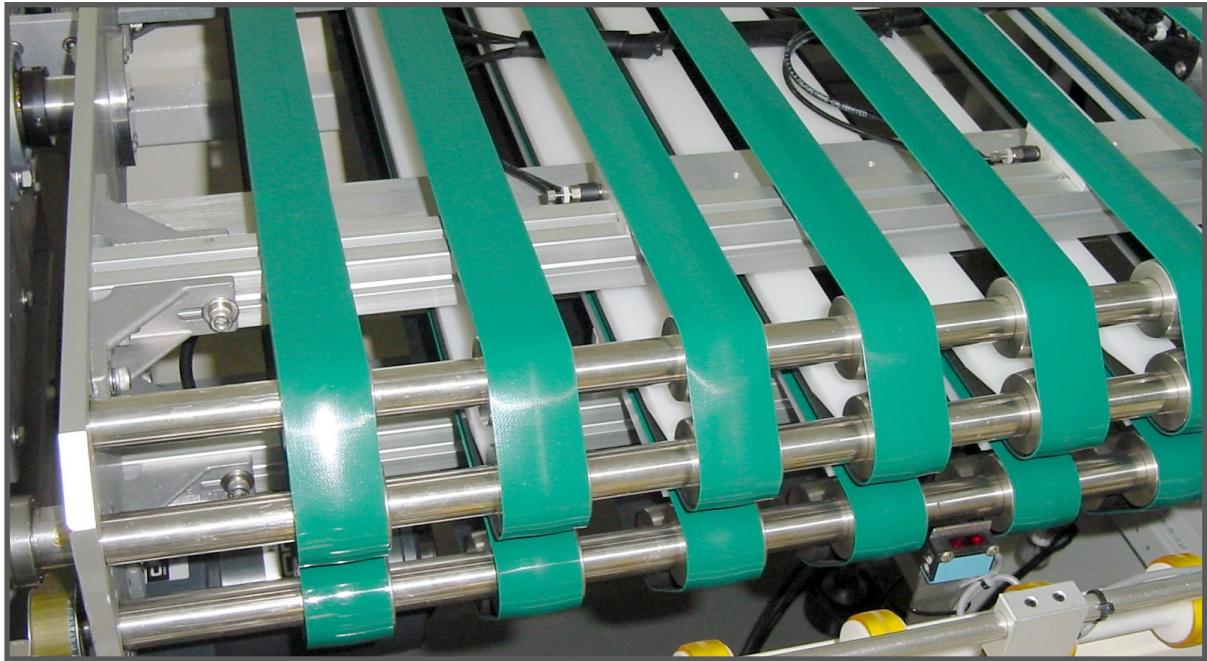
SUITABLE FOR

Any process that needs to turn over rigid boards, like belt sanding.

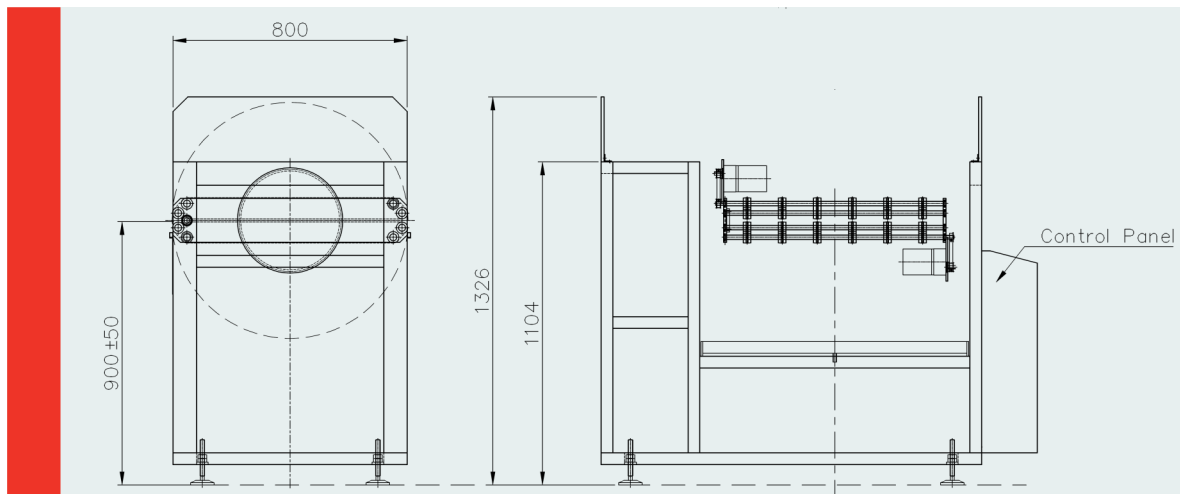
## DESCRIPTION

- 1 Uses the minimum possible space to complete the flip movement.
- 2 A variable-frequency drive is used to control the positioning speed, reduce inertia and improve the stability of the machine.
- 3 A specialized sensor detects jams to prevent damaging the panels and ensure they get in and out in normal condition.
- 4 As an option, an acceleration conveyor may be installed to improve the machine's throughput.

**SAA**  
Symtek Automation Asia



Machine detail



TYPE	SB-300
DIMENSIONS (LxWXH)	800 x 1490 x 1326 mm
WORKING HEIGHT	900 ± 50 mm
MAX. PANEL SIZE	610 x 610 mm
MIN.PANEL SIZE	250 x 250 mm
PANEL THICKNESS	0.075 ~ 3.2 mm
THROUGHPUT	6 pcs/min
POWER	1Ph 220V 60Hz 1KW Other power configurations are available on demand.
AIR	0.6 MPa 5NL/min